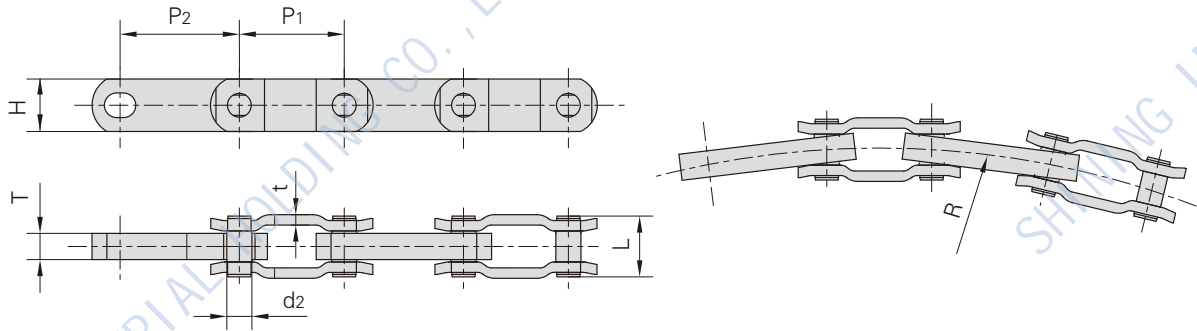
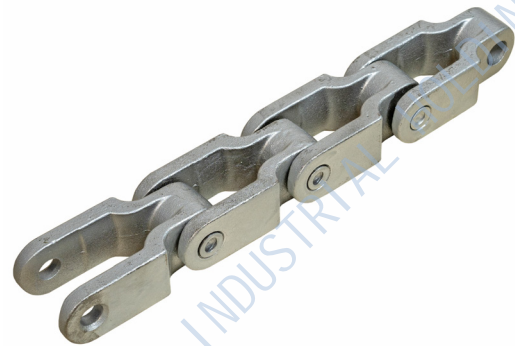
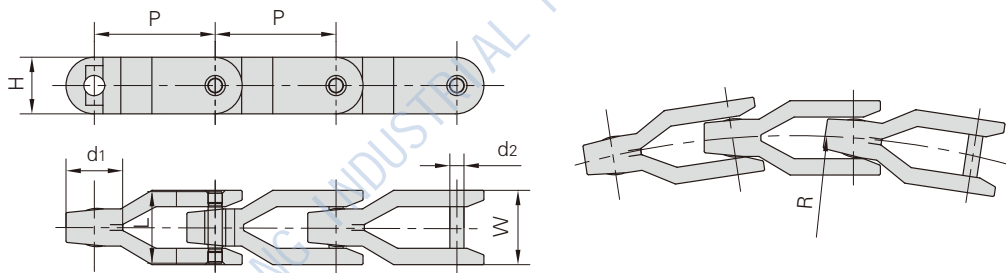


1.1.13 DOUBLE FLEX CHAIN



Chain No.	Pitch		Thickness of Inner Plates	Pin Diameter	Pin Length		Plate Dimension		Side bow Radius	Tensile Strength	Average Tensile Strength	Weight Per Meter
	P1	P2			L	H	t	R				
	mm	mm	mm	mm	mm	mm	mm	mm	kN/lbf	kN	Kg/m	
3500	63.5	76.2	15.9	14.27	37.0	32.0	6.3	508.0	160.0/36363	196.0	5.14	



Chain No.	Pitch	Pin Diameter	Pin Length	Plate Dimension			Side bow Radius	Tensile Strength	Weight Per Meter
				H (max)	W (max)	d1			
	P	d2 (max)	L	mm	mm	mm	mm	kN/lbf	Kg/m
CC1400	81.3	9.5	48.0	38.5	50.0	38.0	500	30.0/6818	1.99