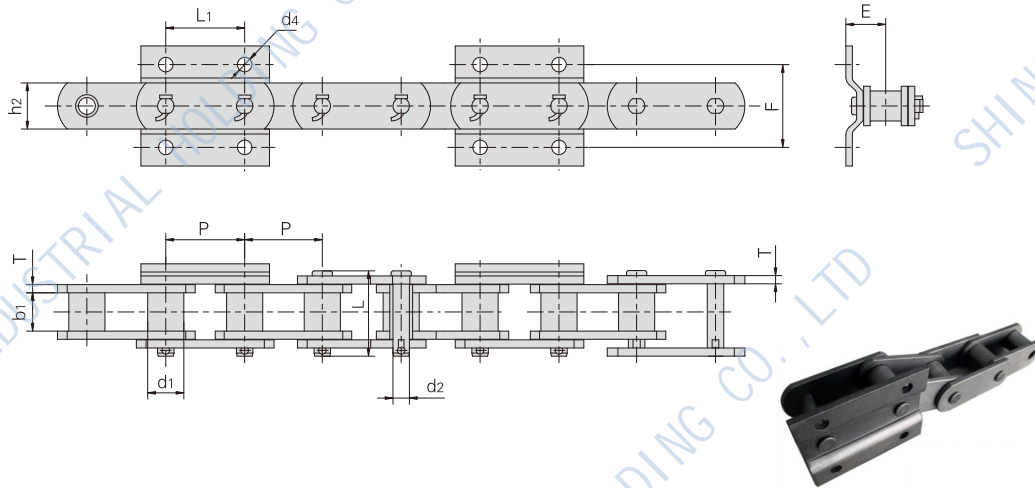
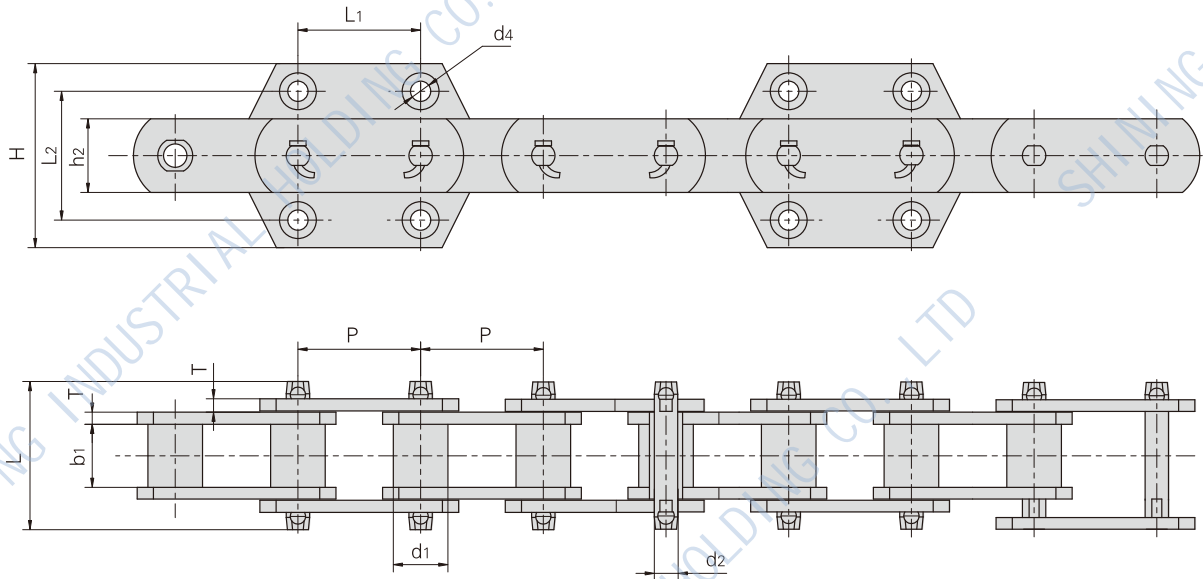


## 1.1.6 BUCKET ELEVATOR CHAIN



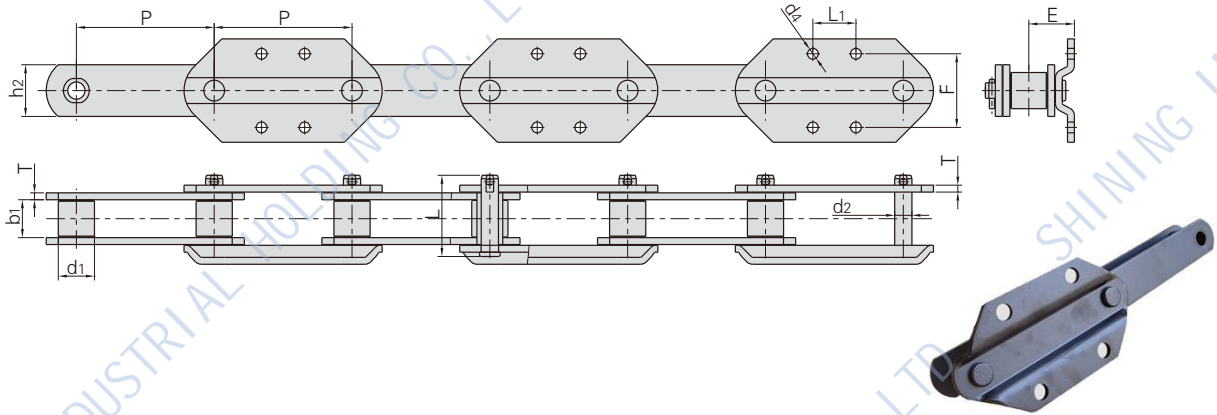
Chain No.	Pitch	Roller Diameter	Width Between Inner Plates	Pin Diameter	Pin Length	Plate Depth	Plate Thickness	Plate Dimension				Tensile Strength
	P	d1 (max)	b1 (min)	d2	L	h2	T	F	L1	d4	E	Q (min)
	mm	mm	mm	mm	mm	mm	mm	mm	mm	mm	mm	kN/lbf
P75	75.0	29.0	30.0	14.5	69.0	38.1	6.3	80.0	75.0	14.0	38.5	204.9/46094
P75	75.0	32.0	37.1	15.9	86.5	44.5	7.9	75.0	75.0	14.0	46.5	253.6/57049
P75	75.0	29.0	30.0	14.5	69.0	38.1	6.3	80.0	75.0	14.0	38.5	204.9/46093
P75-G4	75.0	29.0	29.4	14.5	69.0	38.1	6.3	80.0	75.0	14.0	68.5	205.0/46084
P75-G4	75.0	29.0	30.0	14.5	69.0	38.1	6.3	80.0	75.0	14.0	38.5	205.0/46084
P75-G4	75.0	29.0	30.0	14.5	69.0	38.1	6.3	80.0	75.0	14.0	38.5	205.0/46084
P75	75.0	42.0	47.0	21.0	97.0	56.0	8.0	100.0	75.0	18.0	55.0	224.0/50909
P76.2	76.2	34.9	37.1	17.0	86.5	44.5	7.9	80.0	75.0	14.0	46.5	253.6/57009
P76.2	76.2	35.0	37.0	18.0	86.5	50.0	8.0	80.0	75.0	14.0	43.5	290.0/65192
P76.2-G4	76.2	34.9	37.1	15.9	84.6	44.5	7.9	80.0	75.0	14.0	46.5	253.6/57009
P76.2-G4	76.2	35.0	37.0	18.0	94.0	45.0	10.0	80.0	75.0	14.0	46.0	342.0/76882
P100	100.0	40.1	51.4	19.1	109.5	508.	9.5	100.0	100.0	16.0	58.0	351.0/78960
P100-G4	100.0	50.0	57.5	24.0	117.0	63.5	9.5	100.0	100.0	16.0	62.5	470.0/105730
P100-G4	100.0	40.0	51.5	20.0	111.5	55.0	10.0	100.0	100.0	16.0	55.0	420.0/94416
P125	125.0	57.0	67.0	28.0	147.0	76.0	12.5	110.0	125.0	18.0	77.0	690.0/155112
P125-G4	125.0	60.0	67.0	36.0	142.0	90.0	12.0	110.0	125.0	19.0	70.6	613.0/137802
P150-G4	150.0	35.0	37.0	18.0	86.5	50.0	8.0	80.0	75.0	14.0	43.0	280.0/62944

### 1.1.6 BUCKET ELEVATOR CHAIN

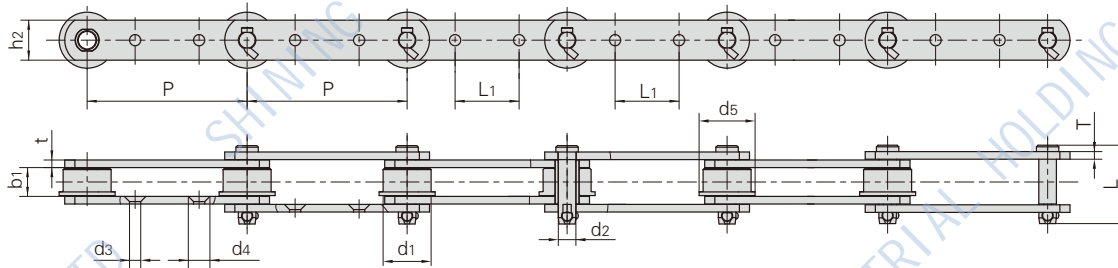


Chain No.	Pitch	Roller Diameter	Width Between Inner Plates	Pin Diameter	Pin Length	Plate Depth	Plate Thickness	Plate Dimension				Tensile Strength
	P	d1	b1	d2	L	h2	T	H	L1	L2	d4	Q (min)
	mm	mm	mm	mm	mm	mm	mm	mm	mm	mm	mm	kN/lbf
P100	100.0	44.5	52.0	19.30	120.0	60.0	10.0	150	100	105	18.5	350.0/78735
P100	100.0	50.8	58.0	25.40	120.0	76.0	10.0	150	100	105	18.5	550.0/123726
P101.6	101.6	26.5	27.0	11.50	70.0	35.0	6.0	-	40	90	12.0	100.0/22495
P152.4	152.4	36.0	36.5	15.50	90.0	50.0	8.0	-	60	120	14.0	240.0/53990
P152.4	152.4	36.0	36.5	15.50	90.0	50.0	8.0	110	75	70	14.0	240.0/53990
P152.4	152.4	34.9	37.1	15.80	88.0	44.5	7.9	110	75	70	15.0	186.2/41887
P200	200.0	44.5	51.8	19.10	120.0	60.0	10.0	125	100	80	18.0	380.0/85484
P200	200.0	48.5	57.6	22.20	120.0	75.0	10.0	125	100	80	18.0	550.0/123727
P200	200.0	48.5	57.6	22.20	125.0	75.0	10.0	125	100	80	18.5	315.0/70861
P250	250.0	63.5	67.4	31.75	143.0	90.0	12.0	150	140	100	18.0	750.0/168718
P250	250.0	63.5	67.4	31.75	146.0	90.0	12.0	150	140	100	18.0	750.0/168718
P300	300.0	70.0	75.0	35.00	170.0	100.0	16.0	180	170	125	22.0	1065/239580

## 1.1.6 BUCKET ELEVATOR CHAIN

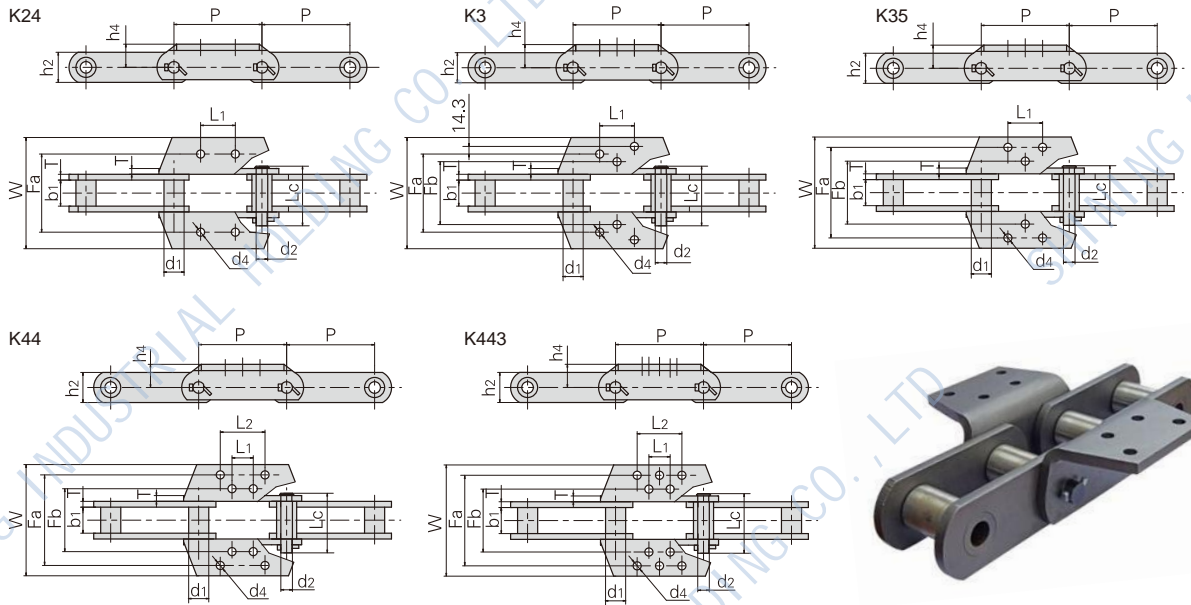


Chain No.	Pitch	Roller Diameter	Width Between Inner Plates	Pin Diameter	Pin Length	Plate Depth	Plate Thickness	Attachment Dimension				Tensile Strength
	P	d1 ( max )	b1 min )	d2	L	h2	T	F	L1	d4	E	Q ( min )
	mm	mm	mm	mm	mm	mm	mm	mm	mm	mm	mm	kN/lbf
P160-G4	160.0	42.0	44.0	20.0	94.3	60.00	8.0	85.5	50.0	12.5	53.0	250.0/56202
P160-G4	200.0	34.9	37.1	15.9	86.4	44.45	7.9	100.0	100.0	15.0	45.0	280.0/62947
P200-G4	200.0	34.9	37.1	15.9	86.4	44.45	7.9	100.0	100.0	15.0	45.0	280.0/62947
P200-G4	200.0	40.1	51.4	19.1	109.5	50.80	9.5	100.0	100.0	15.0	65.0	360.0/80931



Chain No.	Pitch	Roller Diameter		Width Between Inner Plates	Pin Diameter	Pin Length	Plate Depth	Plate Thickness	Attachment Dimension			Tensile Strength	Weight Per Meter
	P	d1 max	d5 max	b1 min	d2 max	L max	h2 max	t/T max	L1 max	d3 max	d4 max	Q min	q
	mm	mm	mm	mm	mm	mm	mm	mm	mm	mm	mm	kN/lbf	kg/m
P75-G2	75.0	31.8	-	16.0	8.0	41.0	22.0	3.2	30.0	8.0	13.5	30/6744	2.80
P200	200.0	60.0	70.0	35.0	22.0	98.0	50.0	9.5	80.0	14.0	27.0	320/71940	13.52

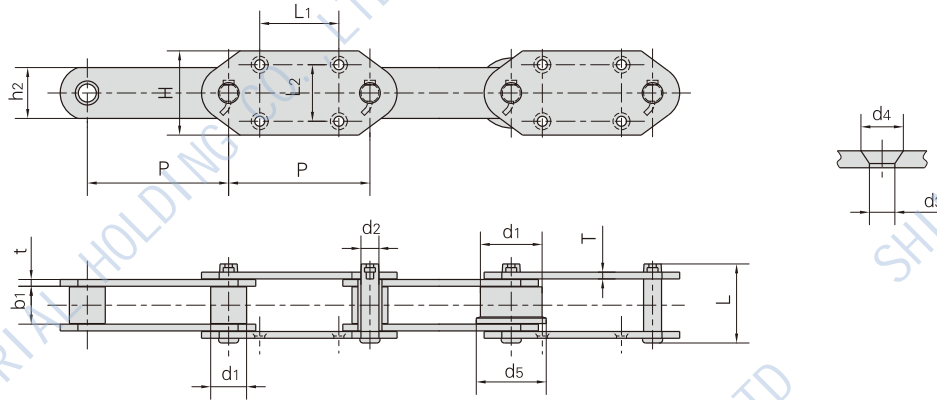
### 1.1.6 BUCKET ELEVATOR CHAIN



Chain No.	Pitch	Bush Diameter	Width Between Inner Plates	Pin Diameter	Pin Length	Plate Depth	Plate Thickness	Tensile Strength	Average Tensile Strength	Weight Per Meter
	P	d1 (max)	b1 (min)	d2 (max)	L (max)	h2 (max)	t/T	Q (min)	Q0	q
	mm	mm	mm	mm	mm	mm	mm	kN/lbf	kN	kg/m
ER856	152.4	44.5	76.2	25.40	155.5	63.5	12.7	375/84358	592.9	24.5
ER956	152.4	44.5	76.2	25.40	155.5	76.2	12.7	450/101229	767.0	28.0
ER857	152.4	44.5	76.2	25.40	155.5	82.6	12.7	775/174342	852.5	30.0
ER958	152.4	50.8	76.2	28.57	163.5	82.6	14.3	1007/226532	1107.0	37.0
ER859	152.4	60.3	95.3	31.75	190.0	101.6	16.0	1180/265450	1298.0	51.0
ER864	177.8	60.3	95.3	31.75	190.0	101.6	16.0	1230/276698	1353.0	51.0
ER984	177.8	63.5	95.3	35.00	204.0	101.6	16.0	1378/309992	1516.0	53.0

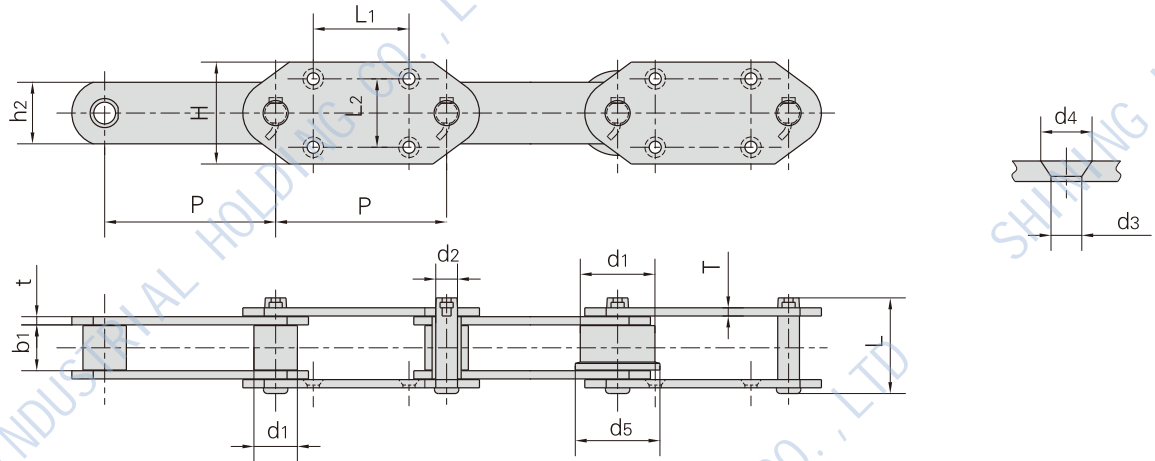
Chain No.	Attachment Type	Attachment Dimension									Weight Per att.
		P	h4	Fb	Fa	W	L1	L2	T	d4	
		mm	mm	mm	mm	mm	mm	mm	mm	mm	
ER856	K35	152.4	47.6	184.2	298.5	344	63.5	-	12.7	18.0	2.8
ER856	K24	152.4	47.6	-	184.2	241	63.5	-	12.7	18.0	1.5
ER956		152.4	50.8	-	184.2	241	63.5	-	12.7	18.0	1.5
ER857	K44	152.4	63.5	177.8	304.8	356	88.9	-	12.7	14.2	4.5
ER958		152.4	63.5	177.8	304.8	356	88.9	-	12.7	14.2	4.5
ER859		152.4	76.2	228.6	330.2	381	70.0	114.3	16.0	17.5	5.0
ER864	K443	177.8	76.2	228.6	330.2	381	95.3	140.0	16.0	17.5	7.5
ER984		177.8	76.2	228.6	330.2	378	95.3	139.7	16.0	17.5	7.5

## 1.1.6 BUCKET ELEVATOR CHAIN



Chain No.	Pitch	Roller Diameter		Width Between Inner Plates	Pin Diameter	Pin Length	Plate Depth	Plate Thickness	Tensile Strength	Average Tensile Strength	Weight Per Meter
	P	d1 max	d5	b1 min	d2 max	L max	h2 max	t/T max	Q min	Qo	q
	mm	mm	mm	mm	mm	mm	mm	mm	kN/lbf	kN	Kg/m
P95	95.0	50.8	58.0	30.0	13.50	70.0	38.0	6.0	75.0/16871	82.5	9.93
P100-G4	100.0	40.0	-	22.0	11.30	53.5	32.0	4.5	69.0/15511	75.9	5.00
P100-G4	100.0	48.5	-	57.6	24.40	120.0	75.0	10.0	550.0/123640	605.0	31.10
P125-G41	125.0	63.5	-	57.4	32.00	141.0	90.0	12.0	750.0/168600	825.0	47.00
P125-G41	125.0	70.0	-	75.0	36.00	168.0	100.0	16.0	1000.0/224800	1100.0	68.60
P150-G4	150.0	78.0	-	80.0	39.00	172.0	120.0	16.0	1350.0/303480	1485.0	78.90
P150	150.0	50.0	60.0	30.0	14.50	69.0	38.1	8.0/6.3	200.0/44992	220.0	8.64
P150	150.0	54.0	-	40.0	27.00	112.0	68.5	1.0	600.0/67487	680.0	25.70
P150-G4	150.0	29.0	-	30.0	14.50	69.0	38.1	6.3	200.0/44960	220.0	16.70
P152	152.4	38.1	-	36.0	15.50	90.0	50.0	8.0	150.0/33743	165.0	11.91
P152-G4	152.4	36.0	-	36.5	18.00	87.0	50.0	8.0	280.0/62944	308.0	12.10
P200-G4	200.0	44.5	-	51.4	19.10	120.0	60.0	10.0	245.0/55114	269.5	17.60
P200-G4	200.0	44.5	-	51.4	19.10	109.5	50.8	9.5	213.0/47916	243.0	15.10
P200-G4	200.0	50.8	-	56.6	24.00	120.0	70.0	9.5	450.0/101164	490.0	19.40
P200-G4	200.0	44.5	-	51.8	19.10	113.0	60.0	10.0	321.0/72164	353.1	17.80
P250	250.0	63.5	-	67.0	31.80	146.0	90.0	12.0	900.0/101230	495.0	31.70
P250	250.0	80.0	-	51.4	19.10	109.5	50.8	9.5	329.0/73962	378.0	19.79
P250	250.0	100.0	125.0	79.0	22.00	120.0	64.0	10.0	320.0/71939	368.0	29.80
P250-G4	250.0	80.0	-	51.4	22.00	109.0	50.8	9.5	329.0/73959	361.9	19.60
P250-G4	250.0	80.0	105.0	51.5	19.10	110.0	50.0	9.0	356.4/80119	392.0	18.30
P250	250.0	70.0	-	76.0	35.00	165.0	100.0	16.0	1100.0/247280	1210.0	44.10
P300	300.0	70.0	-	75.0	35.00	174.0	100.0	16.0	1065.0/239580	1118.0	47.47
P350-G4	350.0	85.0	-	85.0	41.75	189.5	115.0	16.0	1200.0/269772	1372.0	48.43

### 1.1.6 BUCKET ELEVATOR CHAIN



Chain No.	P	H	L1	L2	d3	d4
	mm	mm	mm	mm	mm	mm
P95	95.0	95.0	50.0	70.0	12.0	21.0
P100-G4	100.0	80.0	50.0	50.0	10.0	15.0
P100-G4	100.0	75.0	100.0	106.0	18.0	30.0
P125-G4	125.0	180.0	125.0	130.0	18.0	33.0
P150	150.0	100.0	75.0	70.0	11.0	20.0
P150	150.0	110.0	75.0	75.0	12.0	22.0
P150-G4	150.0	120.0	150.0	170.0	22.0	38.0
P150-G4	150.0	110.0	75.0	70.0	11.0	20.0
P152	152.4	110.0	75.0	70.0	14.5	25.0
P152-G4	152.4	110.0	75.0	70.0	14.0	27.0
P200-G4	200.0	125.0	100.0	80.0	18.0	33.0
P200-G4	200.0	120.0	100.0	80.0	15.0	26.0
P200-G4	200.0	130.0	100.0	80.0	18.0	31.0
P200-G4	200.0	125.0	100.0	80.0	18.0	30.0
P250	250.0	150.0	140.0	100.0	17.7	30.0
P250	250.0	150.0	140.0	100.0	15.0	26.0
P250	250.0	150.0	110.0	100.0	18.0	-
P250-G4	250.0	150.0	140.0	100.0	15.0	26.0
P250-G4	250.0	125.0	150.0	80.0	14.0	27.0
P250	250.0	151.0	140.0	110.0	18.0	30.0
P300	300.0	180.0	170.0	120.0	22.0	39.0
P350-G4	350.0	210.0	225.0	140.0	26.0	42.2

