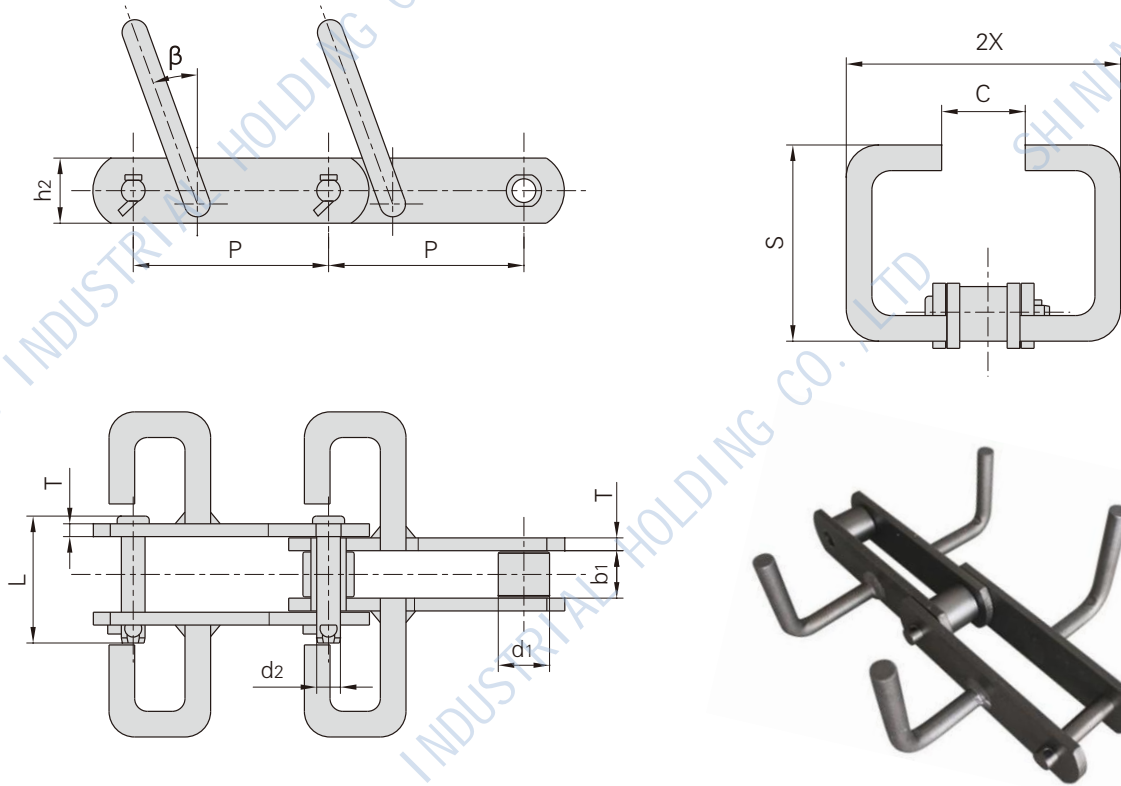
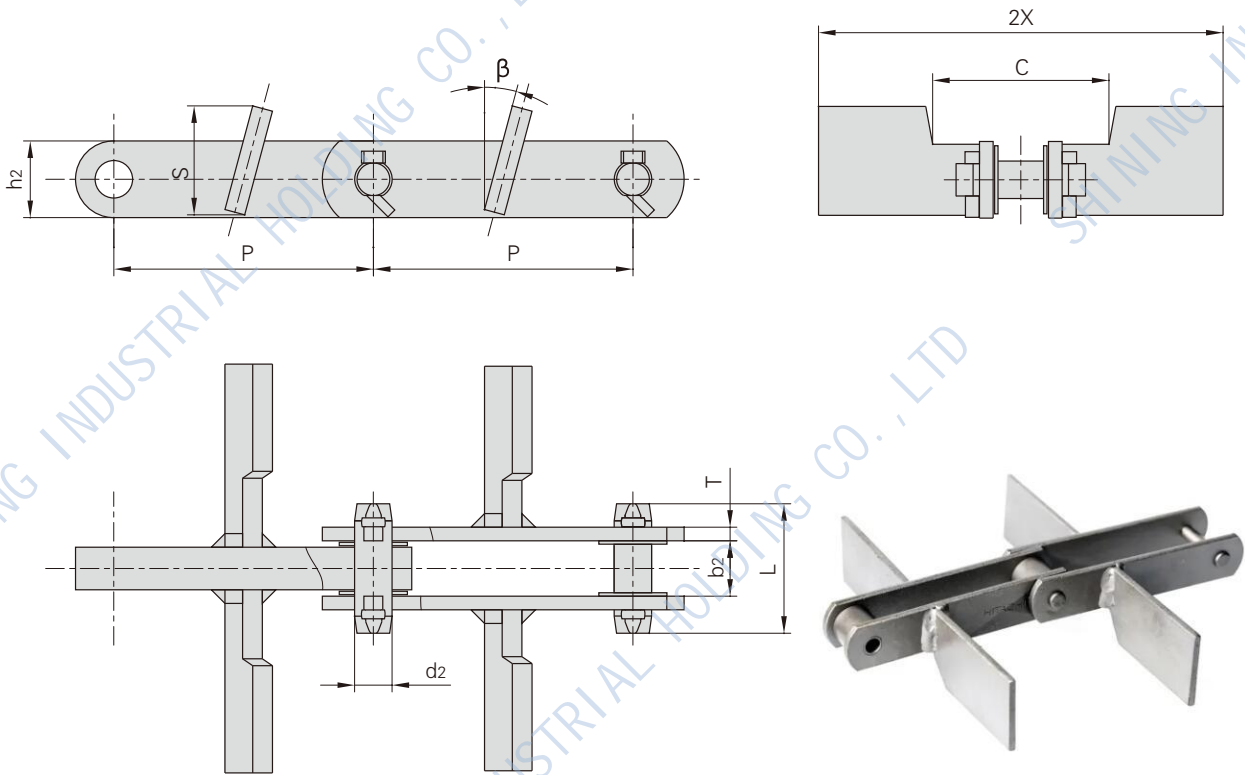


1.1.5 SCRAPER CONVEYOR CHAIN



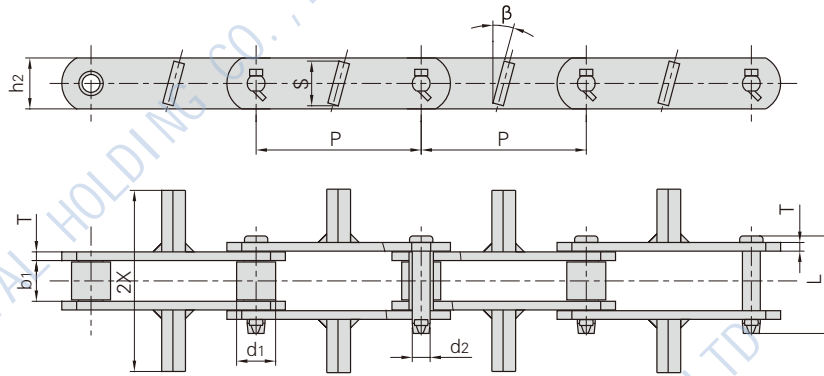
Chain No.	Pitch	Roller Diameter	Width Between Inner Plates	Pin Diameter	Pin Length	Plate Depth	Plate Thickness	Attachment Dimension				Tensile Strength	Weight Per Meter
	P	d1 (max)	b1	d2	L	h2	T	S	2X	C	β	Q	q
	mm	mm	mm	mm	mm	mm	mm					kN/lbf	Kg/m
SHP152.4-A	152.4	40.0	36.0	18.5	95.5	50.8	10.0	170	310	110	20°	170/38242	24.9
SHP152.4-B	152.4	63.0	36.5	15.5	86.0	20.0	8.0	91	240	-	0°	200/44960	13.5
SHP152.4-C	152.4	36.0	36.5	15.5	86.0	50.0	8.0	71	175	-	0°	200/44960	12.4
SHP152.4-D	152.4	36.0	36.5	15.5	86.0	50.0	8.0	100	256	-	0°	240/53952	14.2

1.1.5 SCRAPER CONVEYOR CHAIN

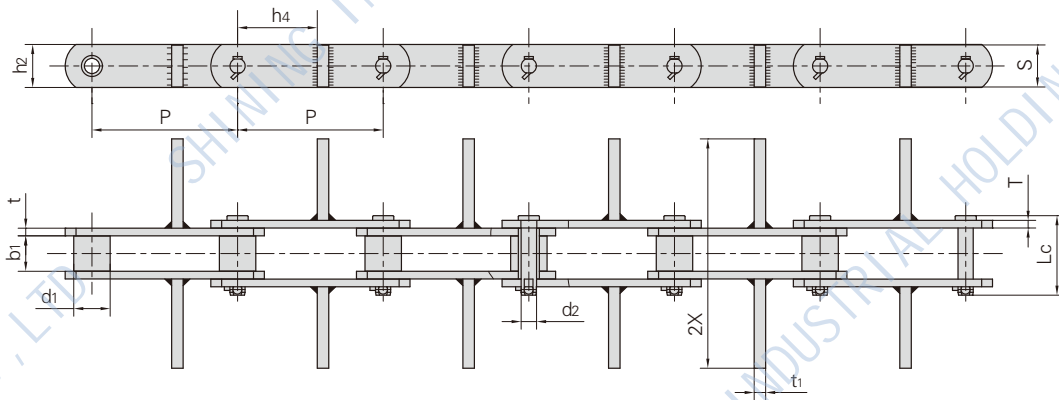


Chain No.	Pitch	Width Between Inner Plates	Pin Diameter	Pin Length	Plate Depth	Plate Thickness	Attachment Dimension				Tensile Strength	Weight Per Meter
	P	b1	d2	L	h2	T	S	2X	C	β	Q	q
	mm	mm	mm	mm	mm	mm					kN/lbf	Kg/m
SHP150-F38	150.0	25.0	18.5	67.3	38.1	10.0	115.0	180	112	15°	150/33743	14.50
SHP152.4-F45	152.4	32.5	22.0	76.0	45.0	8.0	64.0	326	104	15°	260/58489	20.40
SHP152.4-F45A	152.4	32.5	22.0	76.0	45.0	8.0	83.0	286	106	15°	260/58489	20.80
SHP152.4-F45B	152.4	32.5	22.0	76.0	45.0	8.0	64.0	276	106	15°	260/58489	18.00
SHP152.4-F45C	152.4	32.5	22.0	76.0	45.0	8.0	64.0	220	106	15°	260/58489	16.50
SHP152.4-F45D	152.4	34.0	22.0	85.0	45.0	12.0	81.0	400	106	15°	400/89983	30.90
SHP152.4-F45E	152.4	32.5	22.0	80.0	45.0	10.0	65.5	270	105	15°	240/50355	15.91
SHP152.4-F45F	152.4	36.5	15.9	87.0	45.0	8.0	60.0	180	120	15°	253.6/57009	13.20
SHP152.4-F42	152.4	32.5	22.0	80.0	42.0	10.0	76.8	270	79	15°	260/58448	20.10
SHP200-F80	200.0	40.5	35.0	104.0	80.0	13.0	168.0	420	112	15°	530/119227	50.60
SHP200-F80A	200.0	40.5	35.0	104.0	80.0	13.0	148.0	430	112	15°	530/119227	53.90
SHP200-F50	200.0	33.0	26.5	77.0	50.0	10.0	145.5	430	210	15°	400/89983	28.93

1.1.5 SCRAPER CONVEYOR CHAIN

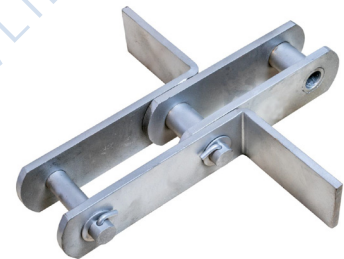
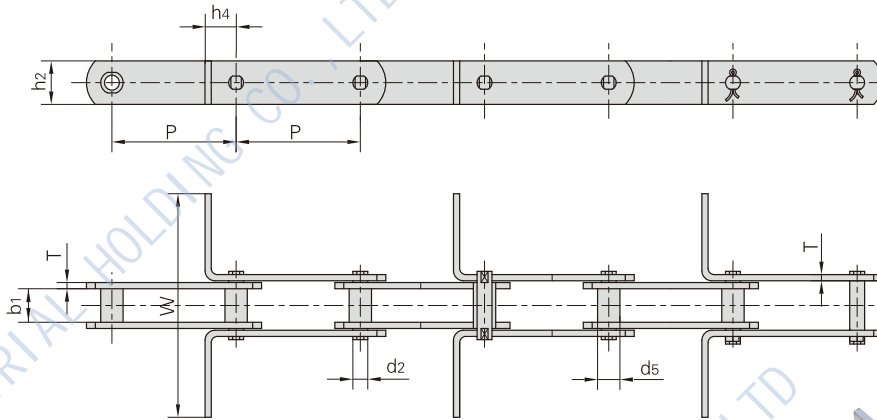


Chain No.	Pitch	Width Between Inner Plates	Roller Diameter	Pin Diameter	Pin Length	Plate Depth	Plate Thickness	Attachment Dimension			Tensile Strength	Weight Per Meter
	P	b1	d1	d2	L	h2	T	S	2X	β	Q	q
	mm	mm	mm	mm	mm	mm	mm	mm	mm	mm	kN/lbf	Kg/m
SHP152.4-A	152.4	37.6	36.0	16.5	90.0	47.0	8.0	42.0	170.0	15°	180/40492	12.1
SHP152.4-B	152.4	37.0	38.1	15.9	88.0	45.0	8.0	42.0	170.0	15°	170/38242	12.4



Chain No.	Pitch	Width Between Inner Plates	Bush Diameter	Pin Diameter	Pin Length	Plate Depth	Plate Thickness	Attachment Dimension			Tensile Strength
	P	b1 min	d1	d2 max	Lc max	h1 max	T	h4	w	t	Q
	mm	mm	mm	mm	mm	mm	mm	mm	mm	mm	kN/lbf
P160-W470	160.0	48.0	36.0	25.0	104.5	70.0	10.0	72.5	470.0	15.0	300/67487

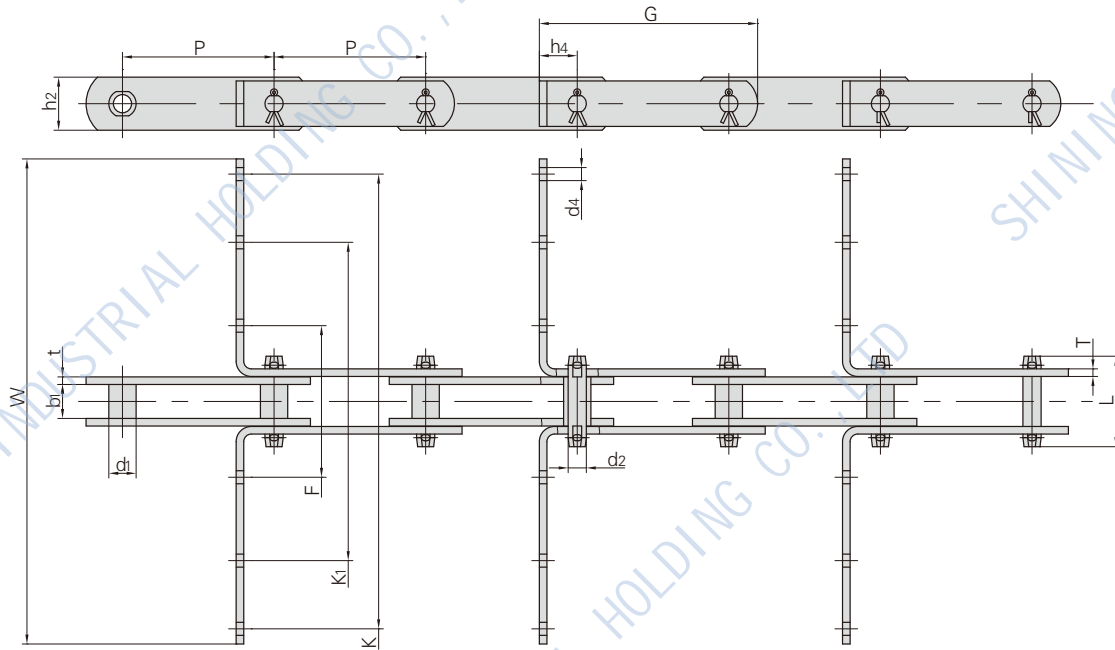
1.1.5 SCRAPER CONVEYOR CHAIN



Chain No.	P			b1 max	d2 max	d5 max	h4	h2 max	T max	W	Q min
	mm	mm	mm								
MR56	100	125	-	24.0	10.0	15.0	20.0	30.0	4.0	★	56.0/12727
MR80	100	125	160	28.0	12.0	18.0	25.0	35.0	5.0	★	80.0/18182
MR112	100	125	160	32.0	15.0	21.0	35.0	40.0	6.0	★	112.0/25454
MR160	100	125	160	37.0	18.0	25.0	40.0	50.0	7.0	★	160.0/36364
MR224	125	160	200	43.0	21.0	30.0	44.0	60.0	8.0	★	224.0/50909
MR315	160	200	250	48.0	25.0	36.0	50.0	70.0	10.0	★	315.0/71591

Chain No.	P			b1 max	d2 max	d5 max	h4	h2 max	T max	W	Q min
	mm	mm	mm								
FVR40	80	100	125	18.0	10.0	15.0	20.0	25.0	3.0	★	42.0/9545
FVR63	100	125	160	22.0	12.0	18.0	25.0	30.0	4.0	★	64.0/14545
FVR90	100	125	160	25.0	14.0	20.0	30.0	35.0	5.0	★	100.0/22727
FVR112	100	125	160	30.0	16.0	22.0	35.0	40.0	6.0	★	120.0/27272
FVR140	125	160	200	35.0	18.0	26.0	38.0	45.0	6.0	★	145.0/32954
FVR180	125	160	200	45.0	20.0	30.0	44.0	50.0	8.0	★	190.0/43181
FVR250	160	200	250	55.0	26.0	36.0	50.0	60.0	8.0	★	275.0/62499

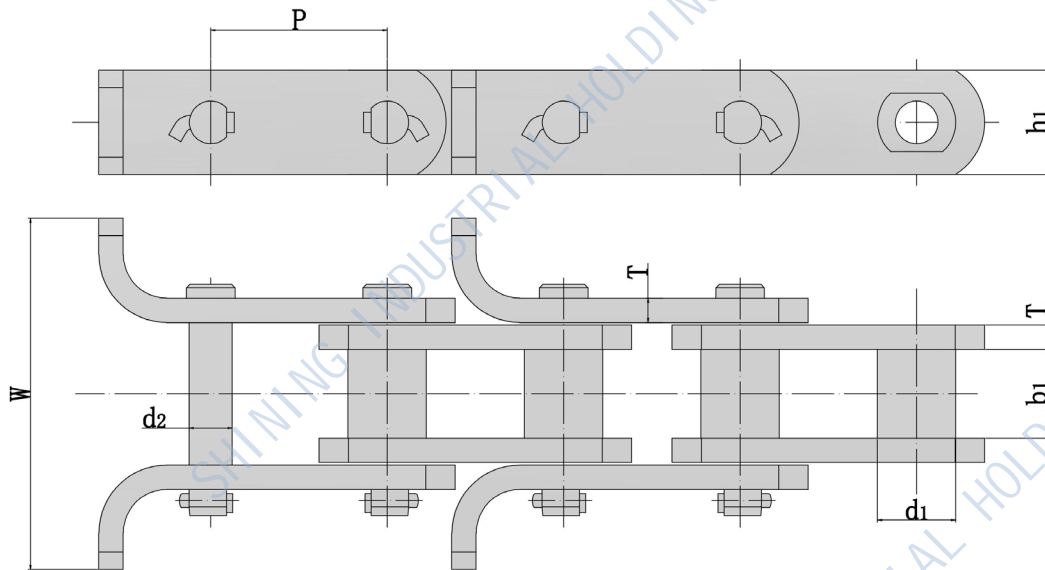
1.1.5 SCRAPER CONVEYOR CHAIN



Chain No.	Pitch	Bush Diameter	Width Between Inner Plates	Pin Diameter	Pin Length	Tensile Strength	Average Tensile Strength	Weight Per Meter
	P	d1 (max)	b1 (min)	d2 (max)	L (max)	Q (min)	Q	q
	mm	mm	mm	mm	mm	kN/lbf	kN	Kg/m
SHP100-A	100.0	18.0	22.0	12.0	64.0	98.0/22030	107.8	6.1
SHP100-B	100.0	18.0	22.0	12.0	62.0	98.0/22030	107.8	5.7
SHP100-C	100.0	18.0	22.0	12.0	60.0	98.0/22030	107.8	5.2
SHP100-D	100.0	18.0	22.0	12.0	64.0	98.0/22030	107.8	6.7
SHP100-E	100.0	18.0	22.0	12.0	62.0	98.0/22030	107.8	6.3
SHP100-F	100.0	18.0	22.0	12.0	60.0	98.0/22030	107.8	5.7

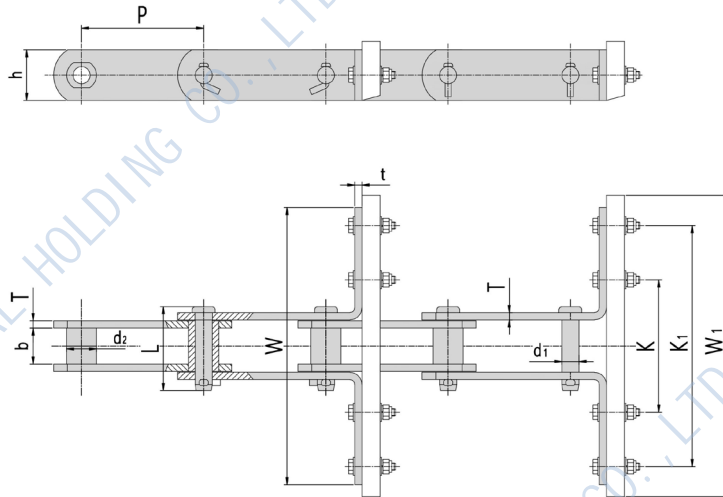
Chain No.	G	F	W	K1	K	h4	h2	d4	t/T
	mm	mm	mm	mm	mm	mm	mm	mm	mm
SHP100-A	144.0	100.0	230.0	-	210.0	25.0	35.0	10.3	6.0
SHP100-B	144.0	100.0	230.0	-	210.0	25.0	35.0	10.3	5.0/6.0
SHP100-C	144.0	100.0	230.0	-	210.0	25.0	35.0	10.3	5.0
SHP100-D	144.0	100.0	320.0	210.0	300.0	25.0	35.0	10.3	6.0
SHP100-E	144.0	100.0	320.0	210.0	300.0	25.0	35.0	10.3	5.0/6.0
SHP100-F	144.0	100.0	320.0	210.0	300.0	25.0	35.0	10.3	5.0

1.1.5 SCRAPER CONVEYOR CHAIN



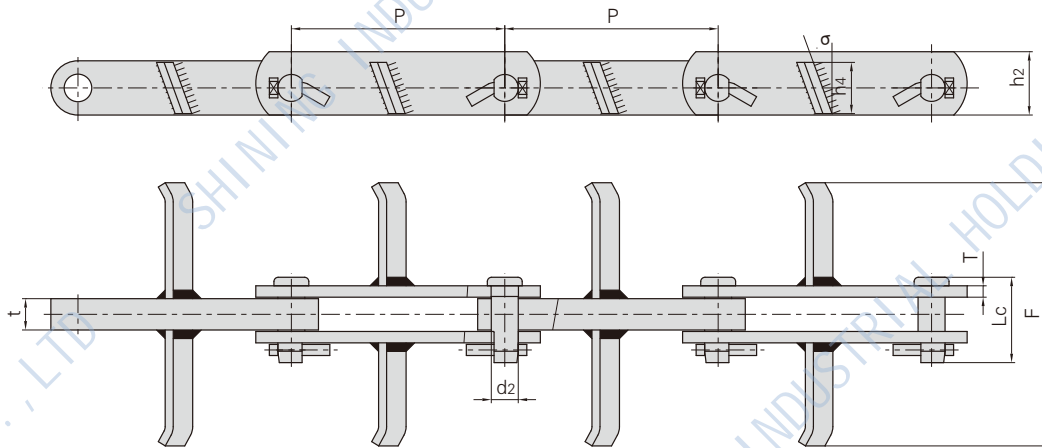
Chain No.	Pitch	Bush Diameter	Width Between Inner Plates	Pin Diameter	Plate Thickness	Plate Depth	Bend Width	Tensile Strength
	P	d1 (max)	b1 (min)	d2 (max)	T (max)	h1 (min)	W	Q (min)
	mm	mm	mm	mm	mm	mm	mm	kN/lbf
P101.6-W202	101.6	45.0	51.0	24.75	14.0	60.0	202.0	125/28408

1.1.5 SCRAPER CONVEYOR CHAIN



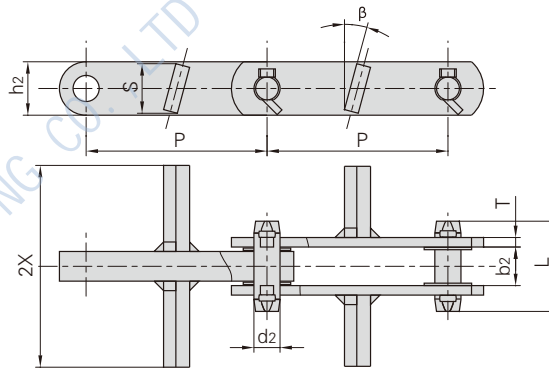
Chain No.	P	b max	d1 max	d2 max	T max	t	h	L max	K	K1	W	W1	Tensile Strength
	mm	mm	mm	mm	mm	mm	mm	mm	mm	mm	mm	mm	kN/lbf
P101.6-W230	101.6	30.0	14.27	25.0	6.0	6.0	42.0	70.0	110.0	200.0	230.0	250.0	150/34090
P160-W430	160.0	43.0	20.0	30.0	8.0	8.0	60	88.8	174.0	364.0	430.0	440.0	300

Block scraper chain

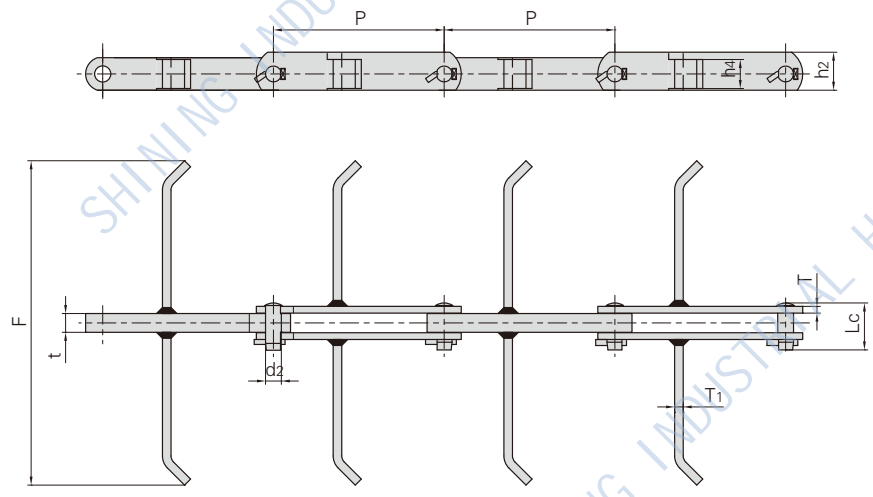


Chain No.	Pitch	Roller Diameter	Pin Length	Inner Plate Depth	Plate Thickness	Attachment Dimension			Tensile Strength	Average Tensile Strength	Weight Per Meter
	P	d2 (max)	Lc (max)	h2 (max)	t/T (max)	F	h4	σ	Q (min)	Qo (min)	q
	mm	mm	mm	mm	mm	mm	mm	mm	kN/lbf	kN/lbf	Kg/m
SH150-F1	150.0	18.95	60.0	44.5	22.0/7.9	185.0	36.0	20°	280.6/63081	308.7	8.90

1.1.5 SCRAPER CONVEYOR CHAIN

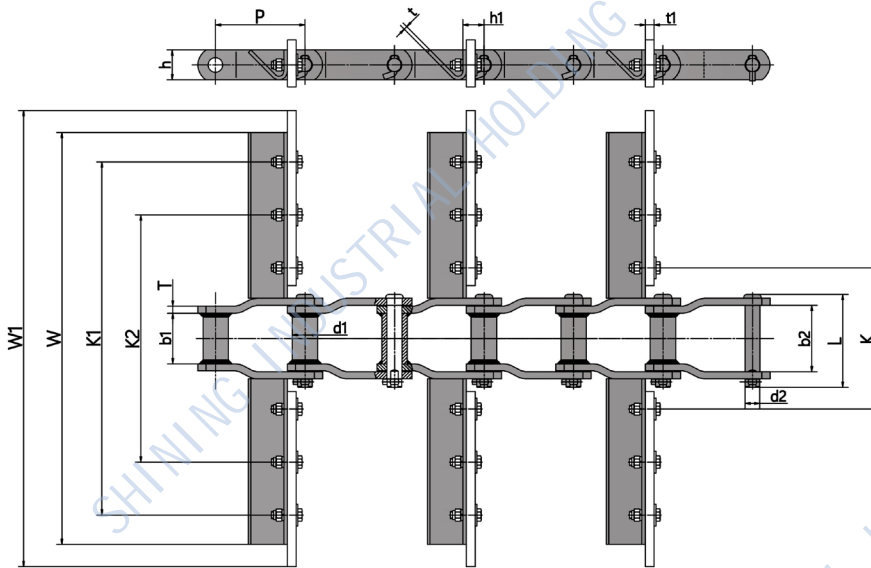


Chain No.	Pitch	Width Between Inner Plates	Pin Diameter	Pin Length	Plate Depth	Plate Thickness	Attachment Dimension			Tensile Strength	Weight Per Meter
	P mm	b2 mm	d2 mm	L mm	h2 mm	T mm	S mm	2X mm	β	Q kN/lbf	q Kg/m
SHP101.6	101.6	16.5	17.46	53.7	38.0	6.0	34.0	210.0	45°	100/22496	7.26
SHP150	150.0	25.0	18.50	67.3	38.1	10.0	36.0	168.0	15°	150/33743	10.60
SHP152.4-A	152.4	33.3	22.00	76.0	45.0	8.0	38.0	180.0	20°	260/58489	12.10
SHP152.4-B	152.4	32.5	22.00	76.0	45.0	8.0	42.0	170.0	15°	260/58489	13.50
SHP152.4-C	152.4	32.5	22.00	76.0	45.0	8.0	42.0	280.0	15°	260/58489	16.20
SHP152.4-D	152.4	32.5	22.00	76.0	45.0	8.0	42.0	227.0	15°	260/58489	14.90
SHP152.4-E	152.4	40.8	25.00	86.0	50.0	9.0	49.0	290.0	15°	300/67487	20.80



Chain No.	Pitch	Roller Diameter	Pin Length	Inner Plate Depth	Plate Thickness	Attachment Dimension			Tensile Strength	Average Tensile Strength	Weight Per Meter
	P	d2 (max)	Lc (max)	h2 (max)	t/T (max)	F	T1	h4	Q (min)	Qo (min)	q
	mm	mm	mm	mm	mm	mm	mm	mm	kN/lbf	kN/lbf	Kg/m
F5	200.0	18.50	56.0	44.5	22.0/7.9	380.0	10.0	34.0	280.6/63081	308.7	11.90

1.1.5 SCRAPER CONVEYOR CHAIN



Chain No.	Pitch	Roller Diameter	Pin Diameter	Width Between Inner Plates	Width Between Inner Plates	Pin Length	Plate Thickness	Tensile Strength
	P	d1 (max)	d2 (max)	b1 (min)	b2 (min)	L (max)	T (max)	Q (min)
	mm	mm	mm	mm	mm	mm	mm	kN/lbf
WH132-700	153.67	44.45	25.4	86.0	114.3	163.0	12.7	550/123644
WH157-705	153.67	44.45	28.57	86.0	119.6	175.0	15.9	650/146125

Chain No.	W	W1	K	K1	K2	h	h1	t	t1
	mm	mm	mm	mm	mm	mm	mm	mm	mm
WH132-700	700.0	774.0	240.0	600.0	420.0	50.8	35.0	6.0	13.0
WH157-705	705.0	774.0	240.0	600.0	420.0	63.5	35.0	6.0	13.0